

# Solenoid valve(3/2 way)

## 3V2 Series

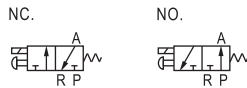


### Specification

Model	3V206	3V208
Fluid	Air(to be filtered by 40 μ m filter element)	
Acting	Direct acting	
Port size ①	1/8"	1/4"
Valve type	3 port 2 position	
Orifice size	3.2mm <sup>2</sup> (Cv=0.18)	3.4mm <sup>2</sup> (Cv=0.19)
Lubrication	Not required	
Operating pressure	0~0.8MPa(0~114psi)	
Proof pressure	1.5MPa(215psi)	
Temperature °C	-20~70	
Material of body	Aluminum alloy	

① PT thread, NPT thread and G thread are available.

### Symbol

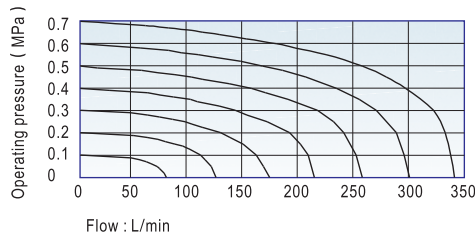


### Product feature

1. Direct acting type and normally closed mode, flexible in direction change.
2. Normally closed and normally open types are optional.
3. Structure in coaxial blanking mode: leakage proof and large air flow.
4. No need to add oil for lubrication.
5. Affiliated manual devices are equipped to facilitate installation and debugging.
6. Several standard voltage grades are optional.

### Flow chart

Model: 3V208NC

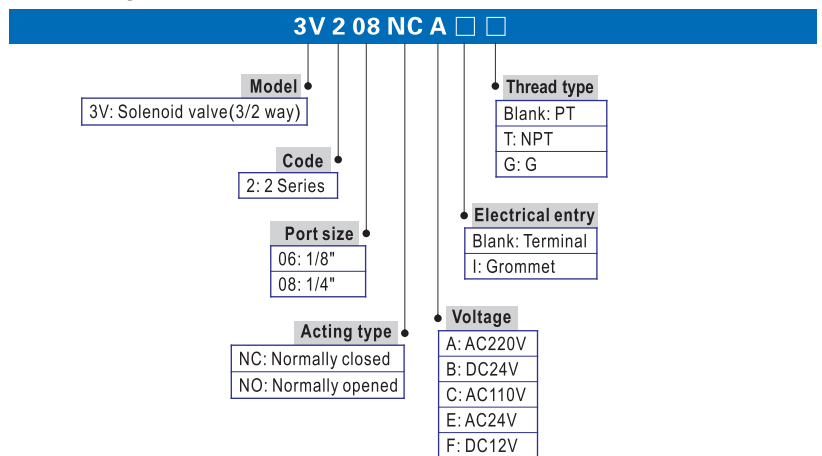


### Coil specification

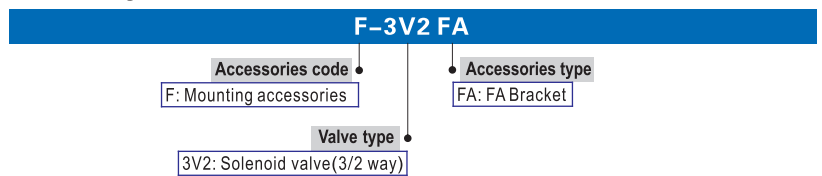
Item	Specification
Standard voltage	AC220V, AC110V, AC24V, DC24V, DC12V
Scope of voltage	AC: ± 15% DC: ± 10%
Power consumption	AC:7VA DC:7.0W
Protection	IP65(DIN40050)
Temperature classification	B Class
Electrical entry	Terminal, Grommet
Activating time	0.05 sec and below
Max. frequency ①	10 cycle/sec

① The maximum actuation frequency is in the no-load state.

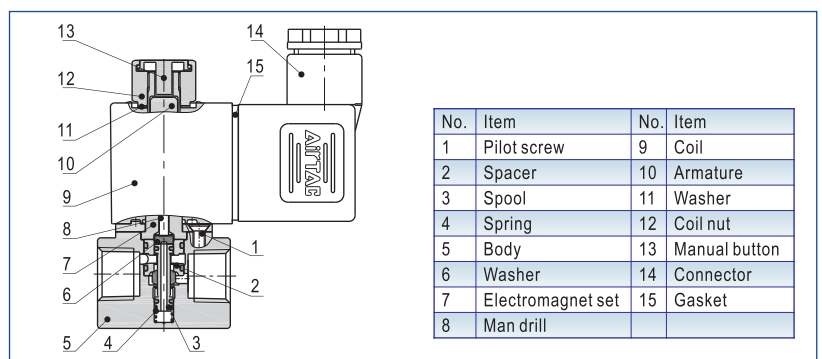
### Ordering code



### Ordering code of accessories



### Inner structure

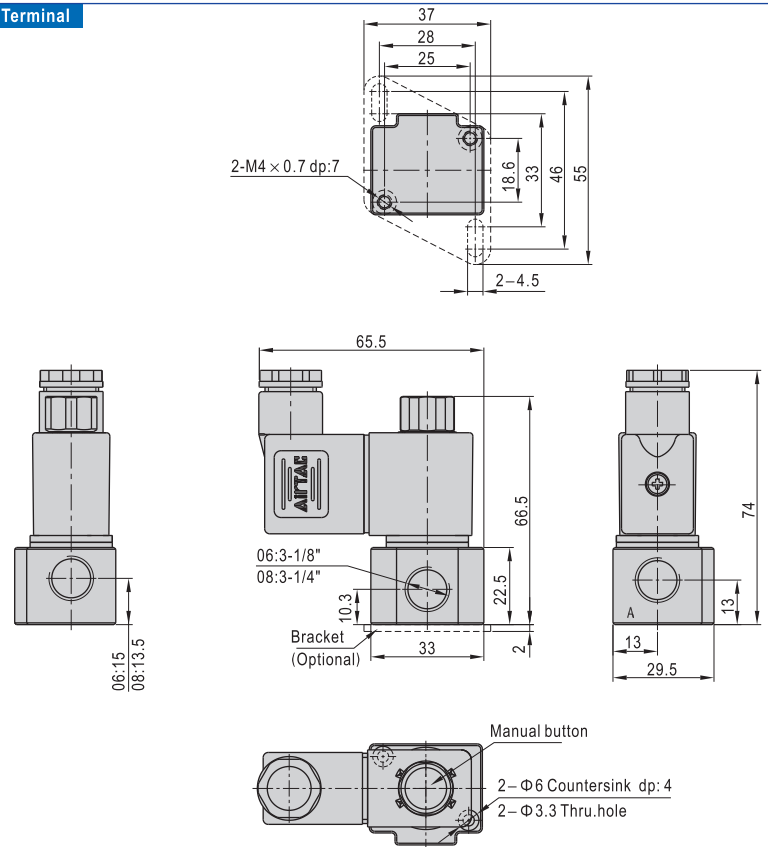


# Solenoid valve(3/2 way)

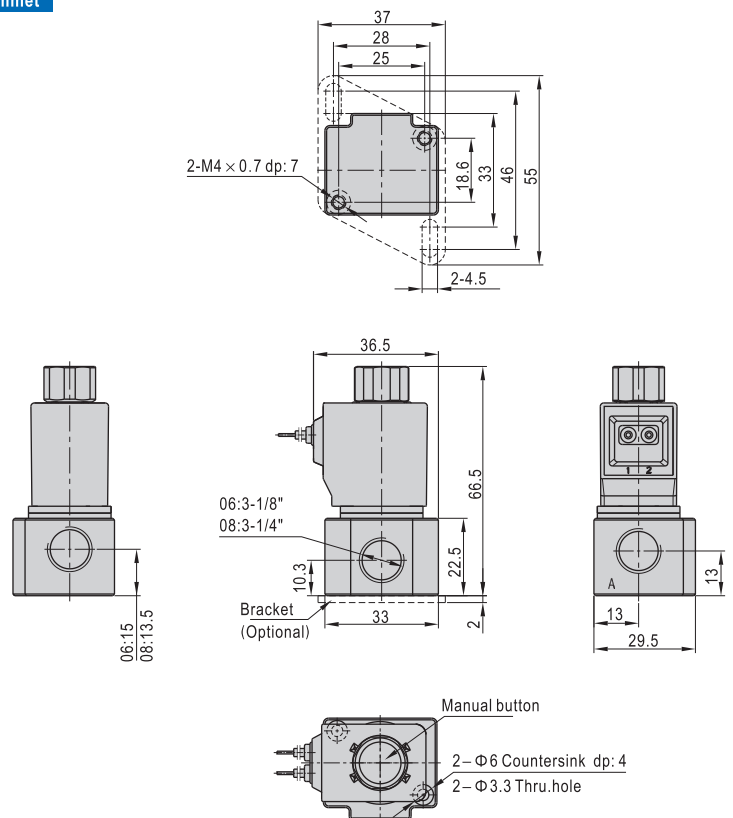
3V2 Series

## ■ Dimensions

### Terminal



### Grommet



3V2